



“Chinese Chair” pp 66 Design Hans J. Wegner 1945



We only sell original Hans J. Wegner designs made by PP Møbler in Denmark.

“Chinese Chair” pp 66 Hans J. Wegner 1945.

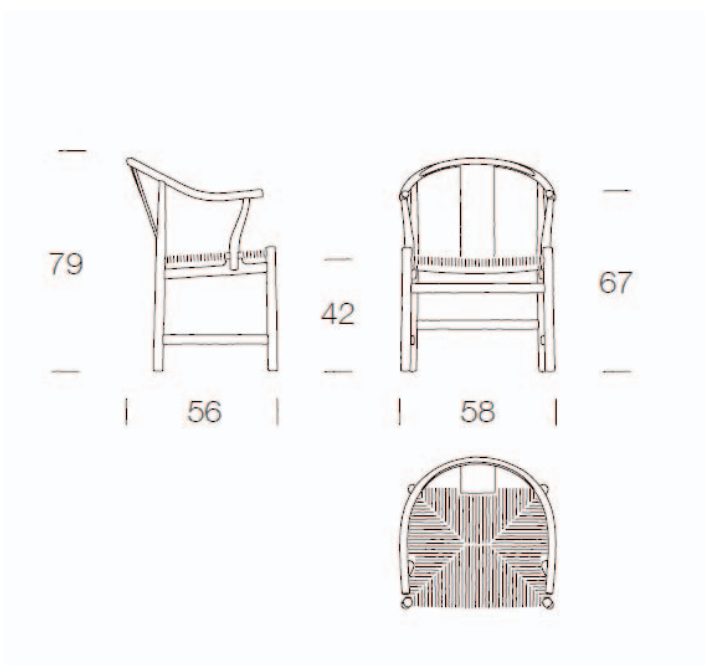
Wegner presented his first version of the Chinese Chair at the Cabinetmakers’ Guild’s Autumn Exhibition in 1943.

He had been inspired by an old Chinese chair that he had carefully studied at the Danish Museum of Industrial Arts.

Chinese Chair pp66 was designed in 1945 and became the quintessential modern outcome of Wegner’s studies of Chinese chairs. It has always been co-founder of PP Møbler Ejnar Pedersen’s favourite Wegner chair.

“The staff at PP Møbler consists of highly skilled artisans who work seriously with even the smallest details. Nothing is left to chance”.

Hans J. Wegner.



Soap Treated



Oil Treated



Lacquered

