



"Swivel Chair" Design Hans J. Wegner 1955



We only sell original Hans J. Wegner designs made by PP Møbler in Denmark.

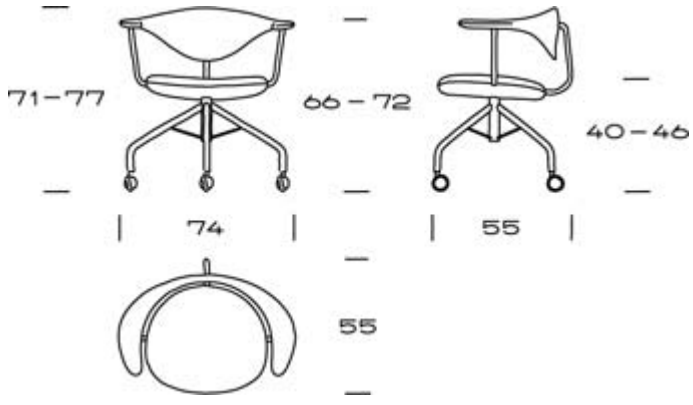
“Swivel Chair” pp 502 Hans J. Wegner 1955.

Following the debut of his Round Chair Wegner went through several phases in seeking an adequate and healthy support for the back.

In the 1950’s he conducted pioneering multi disiplinary studies on ergonomics with consultant, Professor and Doctor of medicine Egil Snorranson PHD. The study of X ray images of the human spine revealed new insight into the laws of ergonomics. As a statement of the results of the studies Wegner created the Swivel Chair the most challenging and time consuming of his designs to produce.

“It’s for the boss ... or the secretary. No, it’s too expensive for the secretary. It’s for the boss who will appreciate being able to sit correctly in a chair”.

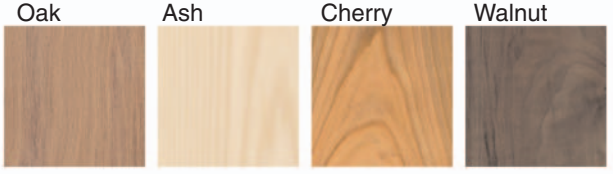
Hans J. Wegner.



Soap Treated



Oil Treated



Lacquered

