



“Folding Chair Chair” pp 512 Design Hans J. Wegner 1949



We only sell original Hans J. Wegner designs made by PP Møbler in Denmark.



“Folding Chair” pp 512 Hans J. Wegner 1949.

At the World Fair in 1929 the modernistic architect Mies van der Rohe exhibited his iconic Barcelona Chair. Although fixed in welded steel the “folding Chair Principle” was clear in the construction.

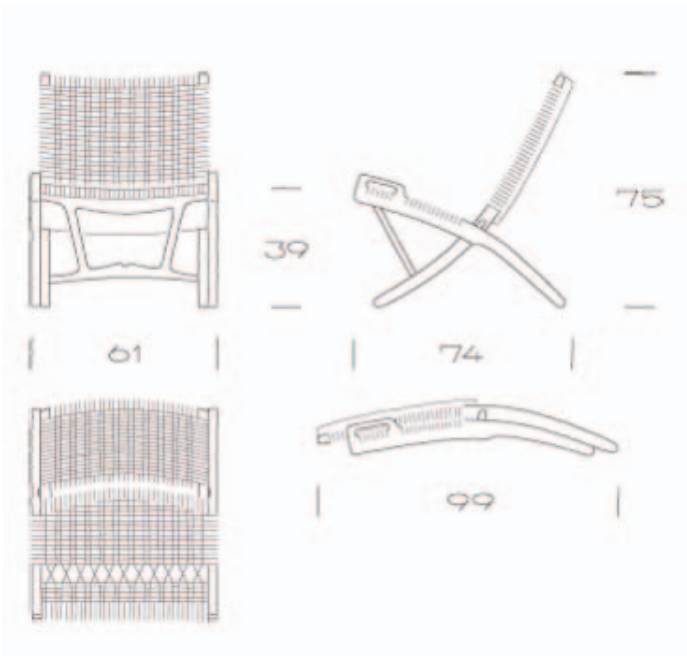
Twenty years later Wegner turned to the idea of a similar chair. He did what Nordic designers commonly did when relating to international modernism and converted the cold steel to warmer wood and the upholstered leather cushions to woven cane.

To avoid the chair appearing to be something it was not pp 512 of course folds.

The chair not only folds, it can also be hung on the wall from a specially designed hook so as not to take up floor space when not in use.

“I often start out designing something for myself. Something I want for myself.”

Hans J. Wegner.



Soap Treated



Oil Treated



Lacquered

